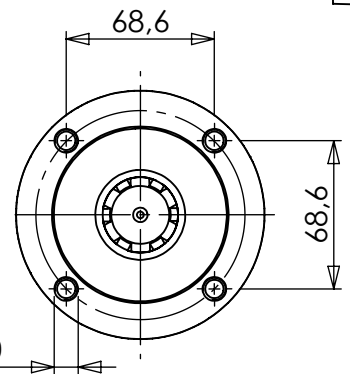


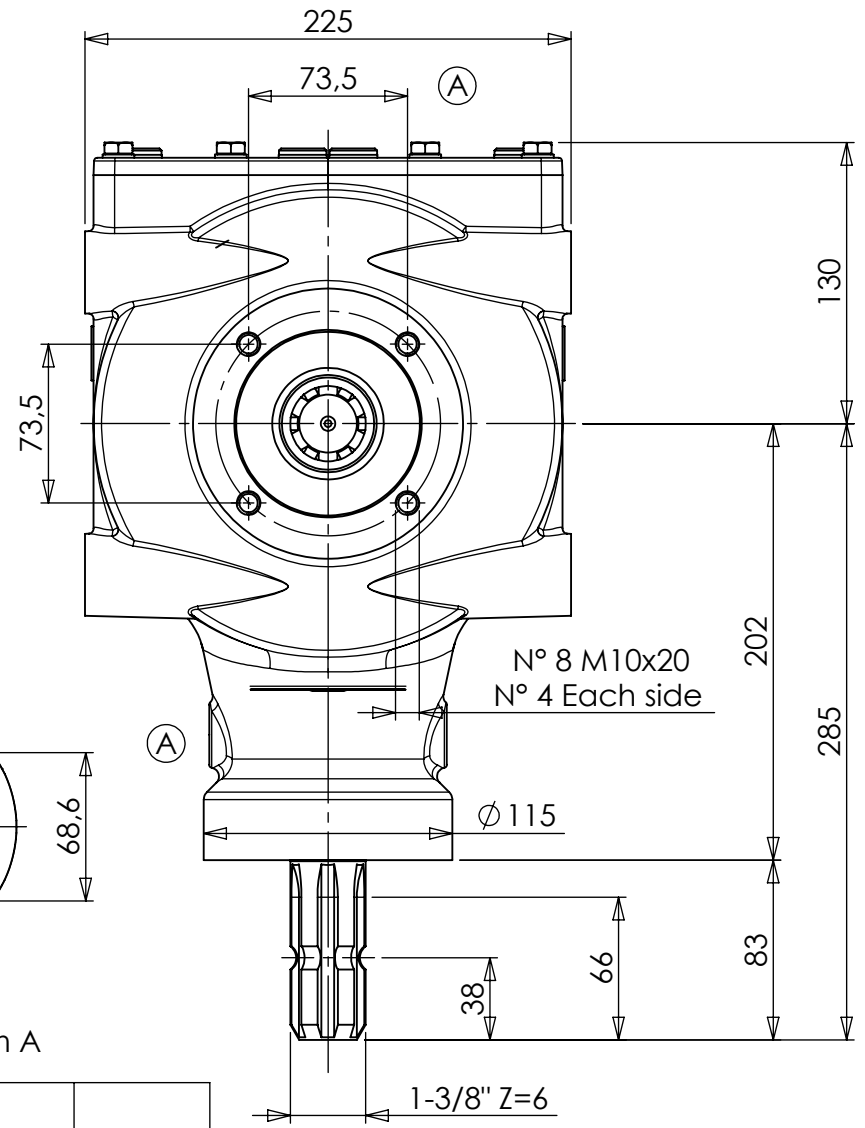
N° 8 M14x20
N° 4 Each side

WARNING!

ROTATING SHAFTS MARKED
ARE NOT SHIELDED.
ANY SHAFT AND COUPLING NOT
GUARDED BY LOCATION MUST BE
SHIELDED BY AN INTERACTIVE
GUARDING SYSTEM.
BONDIOLI & PAVESI DECLINES
RESPONSIBILITY IF PROPER GUARDS
ARE NOT PROVIDED AND MAINTAINED.



Partial view from A



N° 8 M10x20
N° 4 Each side

B	Rifatto disegno in 3D. Erano codici: 355029035 e 355030045, aggiunti codici: 340107200, 340108500 e 490207100000 e "R" ai codici. <i>Remade 3D drawing. Were codes: 355029035 and 355030045, added codes: 340107200, 340108500 and 490207100000 and "R" codes.</i>	25/11/2016	Turci
Rev.	Descrizione / Description	Data / Date	Drawn by

	MONTAGGIO / GEAR ARRANGEMENTS	RAPPORTO / RATIO	TIPO / TYPE	CLIENTE / CUSTOMER
		3.10:1	2071	
	GIRI IN ENTRATA / INPUT SPEED	540	TIPO DI MACCHINA / TYPE OF IMPLEMENT	PESO / WEIGHT (Kp)
POTENZA IN ENTRATA / INPUT POWER	33 CV 24 kW	RIF.CLIENTE / CUSTOMER REF.	STUDIO / CONCEPT DRAWING	DATA / DATE
				25-05-1995

CODICE / CODE
S2071310G111

REV.
B